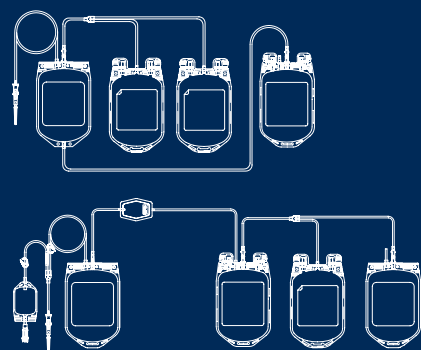


MEDICAL DEVICES

CompoFlow[®] Flexible CompoFlow[®] Select

NEW BLOOD BAG SYSTEMS FOR BLOOD
COMPONENT PREPARATION



**FRESENIUS
KABI**

caring for life

CompoFlow® Flexible & Select

Your new standard and in-line blood bag systems

CompoFlow® Flexible standard blood bag systems and CompoFlow® Select in-line systems represent advancements of the well accepted Fresenius Kabi blood bag design. They are part of the new CompoFlow® concept for optimal blood component preparation.

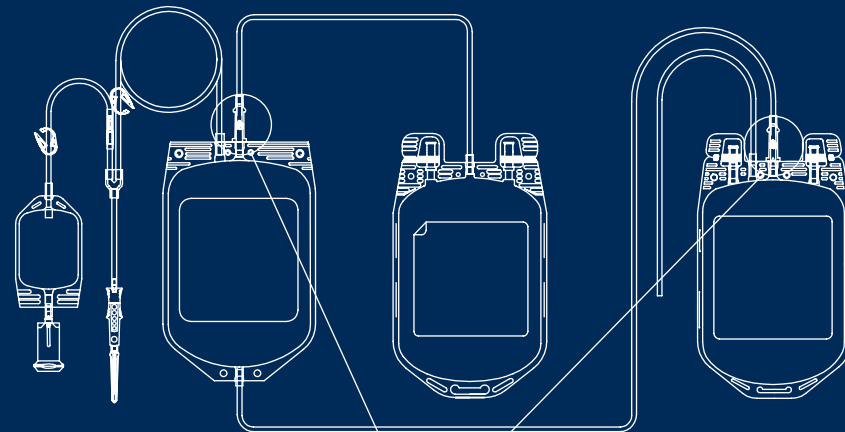
The key element of this concept is the innovative CompoFlow® closure device instead of the traditional bag breaker, consisting of an automatically opened cap and the form coded housing.

Therefore the new CompoFlow® concept

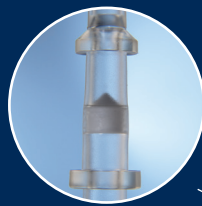
- prevents haemolysis caused by insufficient opened bag breakers
- prevents RSI (Repetitive Strain Injuries) caused by manual cracking of the breaker
- reduces the preparation time due to enlarged free lumen of the open CompoFlow® Cap
- avoids repeatedly training of the staff due to high level of automation

The CompoFlow® System supports you in efficient and high quality blood processing.

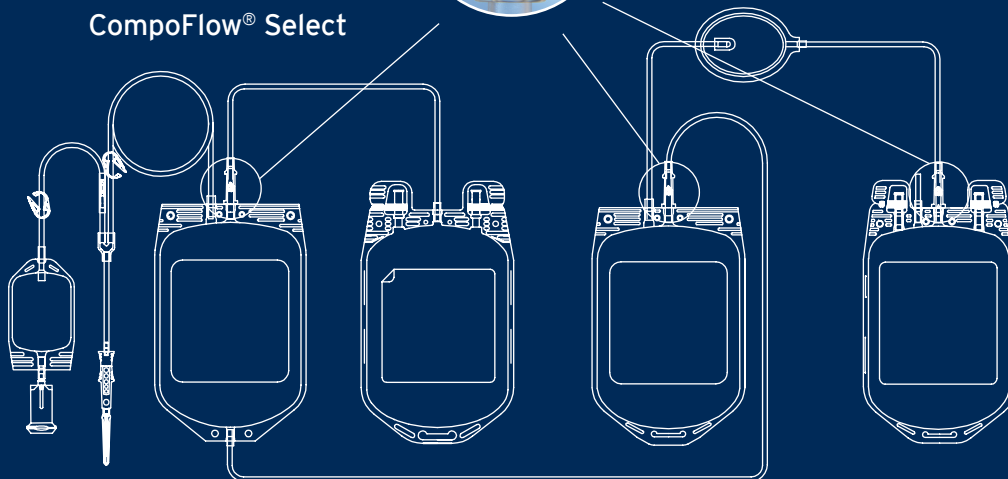




CompoFlow® Flexible



CompoFlow® Select



Individual blood processing

Both product lines are available in different configurations

- as conventional system for highest plasma yield or T&B system for buffy coat procedure
- as whole blood in-line system for leukodepletion of both red cell concentrate and plasma or RCC in-line system for filtered red cell unit and further platelet preparation from buffy coat

Further blood bag features

Elaborated equipment of high quality

- Transparent, easy-to-open overwrap for visual inspection
- Storage of red cells in SAG-M or PAGGS-M solution
- Excellent biocompatibility and high gas permeability

RT-Needle Plus

- Fast flow for reduced donation time
- Safety needle with integrated protector
- Optimized grinding for smooth puncture

Pre-Donation Sampling

- Closed bag system for blood sampling
- Various Composampler adapters
- Safety tube clamp with tube channel

Transfusion port

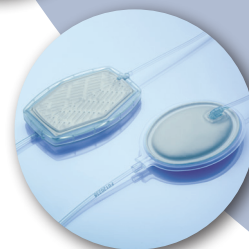
- Protected port avoids contamination
- Maximum grip for easy removal of the cover
- No red cell clots after centrifugation

Plastic label

- Highly resistant against wear and tear
- Tamper-proof material
- Pictograms acc. ISBT facilitate the readability

In-line leukodepletion filter

- Minimum volume loss and high RBC recovery > 90
- Flexible RCC filter for easy centrifugation
- Excellent leukodepletion acc. to WHO and European Guidelines



CompoFlow® - that's how it works!

Automatic and standardized opening of CompoFlow®

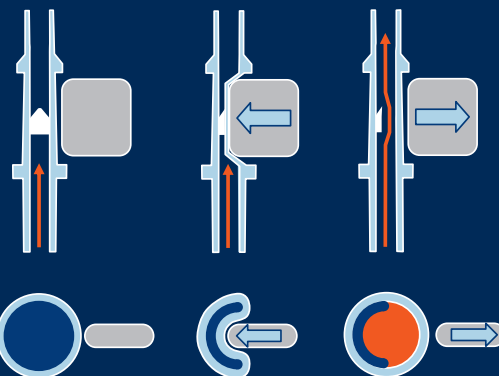
Can you imagine that you work with blood bag systems and you need no manual intervention during separation process?

In the CompoFlow® system the traditional bag breaker is replaced by a simple cap. The cap is squeezed automatically by means of the new generation CompoMat® G5 blood separator or the portable CompoSure® opener.

The form coding by two positioning rings at the specially designed housing always assures the complete opening. Moreover the enlarged free lumen increases the free flow of any fluid passing the cap position.



Automatic opening of CompoFlow®



1. Positioning 2. Squeezing 3. Opening

Canadian Blood Service:

“The CompoFlow® closures showed a highly reproducible aperture following opening and the device remained in place.”

ISBT 2008, Macao: Poster “Evaluation of a Novel Blood Bag In-line Closure Device”

ORDERING INFORMATION

A variety of CompoFlow® in-line filter systems and CompoFlow® standard blood bag systems with different sizes, additives and storage solutions are available for your individual requirements. The below article codes are only exemplary. For more information such as literature, technical details, working instructions, as well as equipment, please contact your local sales representative or call us directly.

BLOOD BAG SYSTEMS ORDERING INFORMATION

CT31150	CompoFlow® Triple, 63 ml CPD/100 ml SAGM - PDS-V, 28 pcs/box
CT32150	CompoFlow® Triple, T&B 63 ml CPD/100 ml SAG-M - PDS-V, 28 pcs/box
CQ31150	CompoFlow® Quadruple, 63 ml CPD/100 ml SAG-M - PDS-V, 28 pcs/box
CQ32150	CompoFlow® Quadruple, T&B 63 ml CPD/100 ml SAG-M - PDS-V, 28 pcs/box
CQ31450	CompoFlow® Quadruple, 63 ml CPD/100 ml SAG-M - WB + PDS-V, 20 pcs/box
CQ31470	CompoFlow® Quadruple, 70 ml CPD/110 ml SAG-M - WB + PDS-V, 20 pcs/box
CQ32250	CompoFlow® Quadruple, T&B 63 ml CPD/100 ml SAG-M - RCC - PDS-V, 24 pcs/box
CQ32270	CompoFlow® Quadruple, T&B 70 ml CPD/110 ml SAG-M - RCC - PDS-V, 24 pcs/box
CQ32350	CompoFlow® Quadruple, T&B 63 ml CPD/100 ml SAG-M - RCC/Plasma + PDS-V, 24 pcs/box

CE marked Class IIb accord. EC-Directive 93/42/EEC



**FRESENIUS
KABI**

caring for life

Fresenius Kabi AG

Else-Kroener-Strasse 1
61352 Bad Homburg, Germany
Phone: +49 (0) 61 72 686 4923
Fax: +49 (0) 61 72 686 4728
compoflow@fresenius-kabi.com
www.fresenius-kabi.com

The signs/names marked with ® are registered trademarks of the Fresenius Group in selected countries.

Your local sales organization: