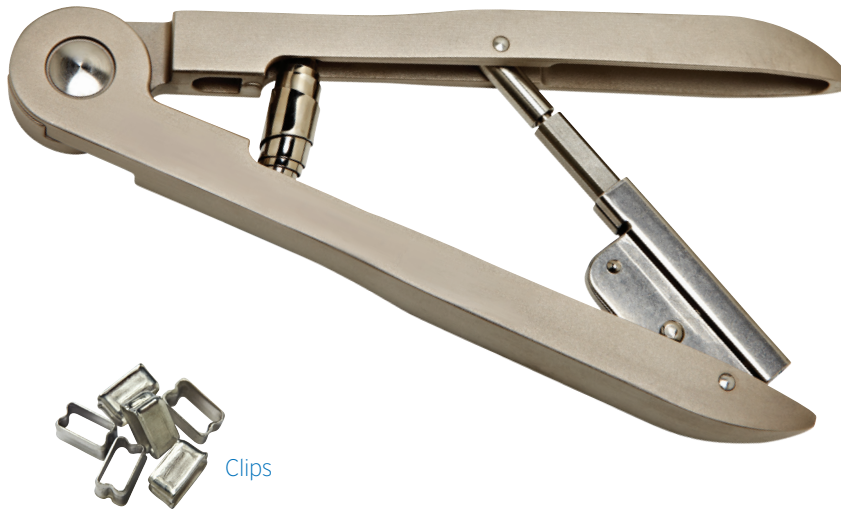




**FRESENIUS
KABI**

caring for life



Clips

Hand Sealer and Clips

The Hand Sealer is used to provide a hermetic closure on tubing, Blood-Pack® Units or Transfer Packs® when used with Hand Sealer Clips.

Durable steel construction

Hermetic closure

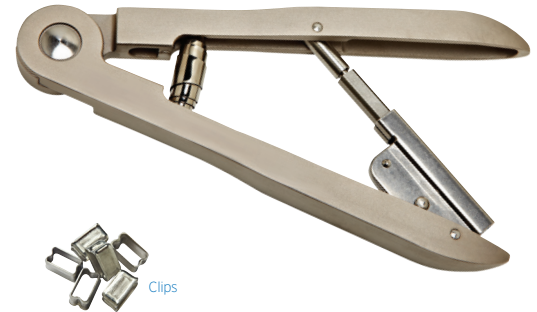
Ratchet Design

Hand Sealer and Clips

The Hand Sealer is a serialized, portable, mechanical device that uses Hand Sealer Clips (code 4R4418) on tubing, Blood-Pack Units or Transfer Packs.

It is constructed of lightweight, durable steel.

The ratchet design provides tight, hermetic tube seals.



Description	Product Code	Weight	Dimensions	Quantity
Hand Sealer	4R4454	0.5 lb (227 grams)	6.3"L x 2.8"W x 1.0"H 15.9 cm x 7.0 cm x 2.5 cm	1 unit/case
Clips	4R4418	0.1 lb/clip (45.3 grams)	0.30"L x 0.18" W x 0.15"H	1000 units/case

For more information, please contact ProductSupport@fresenius-Kabi.com or call 800-333-6925. Refer to the Instructions for Use for a complete list of warnings and precautions associated with the use of these products.

Trademarks referred to are property of their respective owners.
Copyright © 2022 Fresenius Kabi AG. All rights reserved.